

Main supply, low voltage supplies
Output stage, Tap selection relay switching

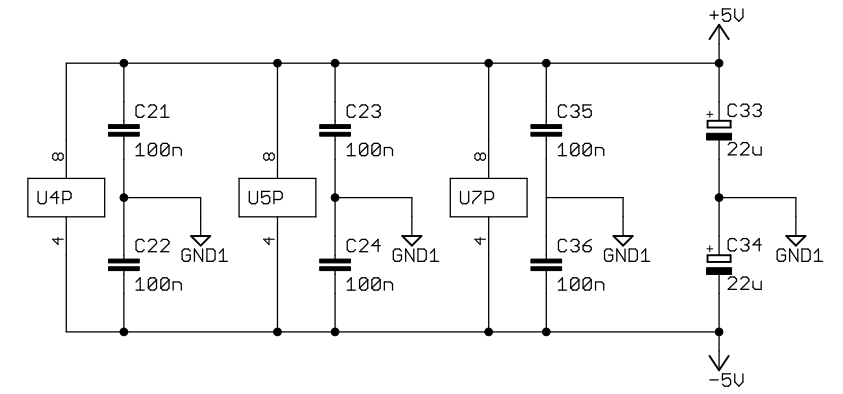
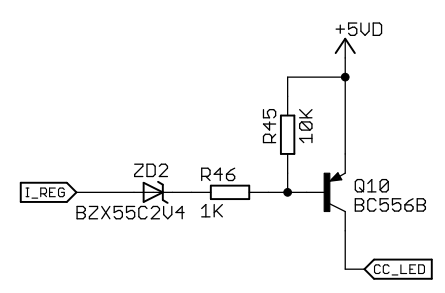
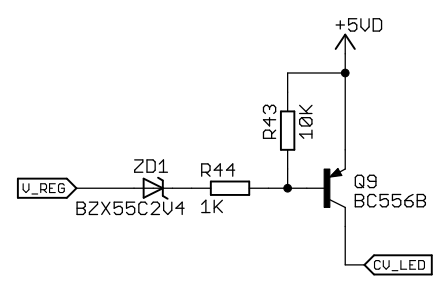
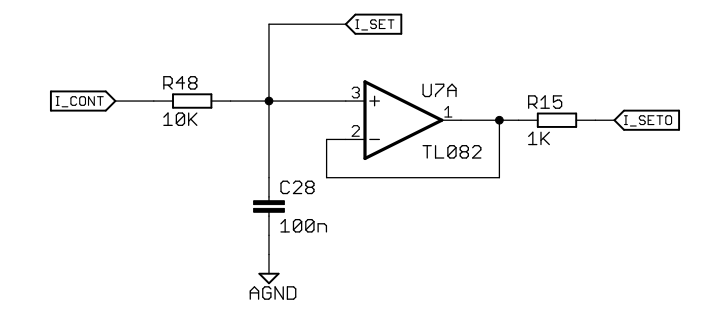
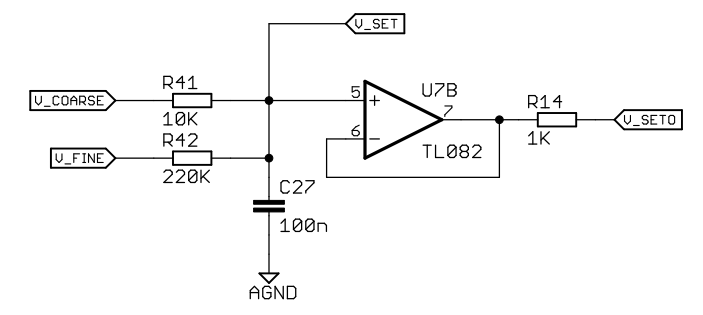
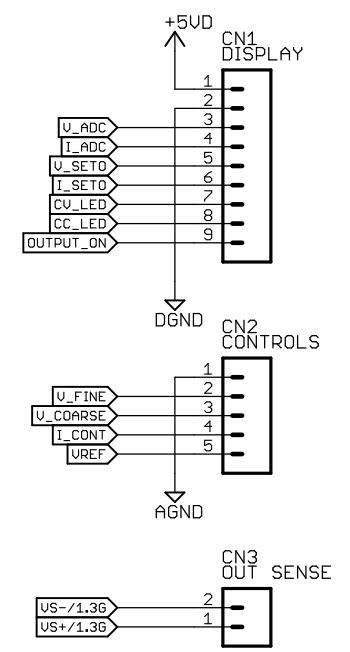
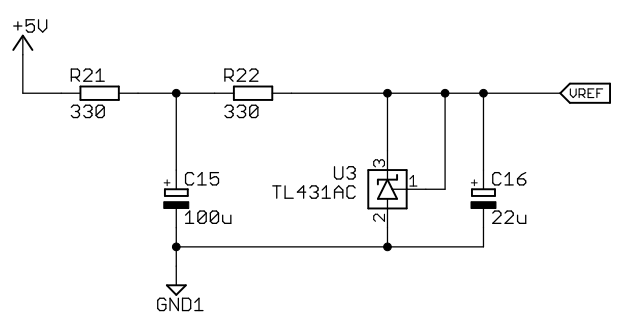
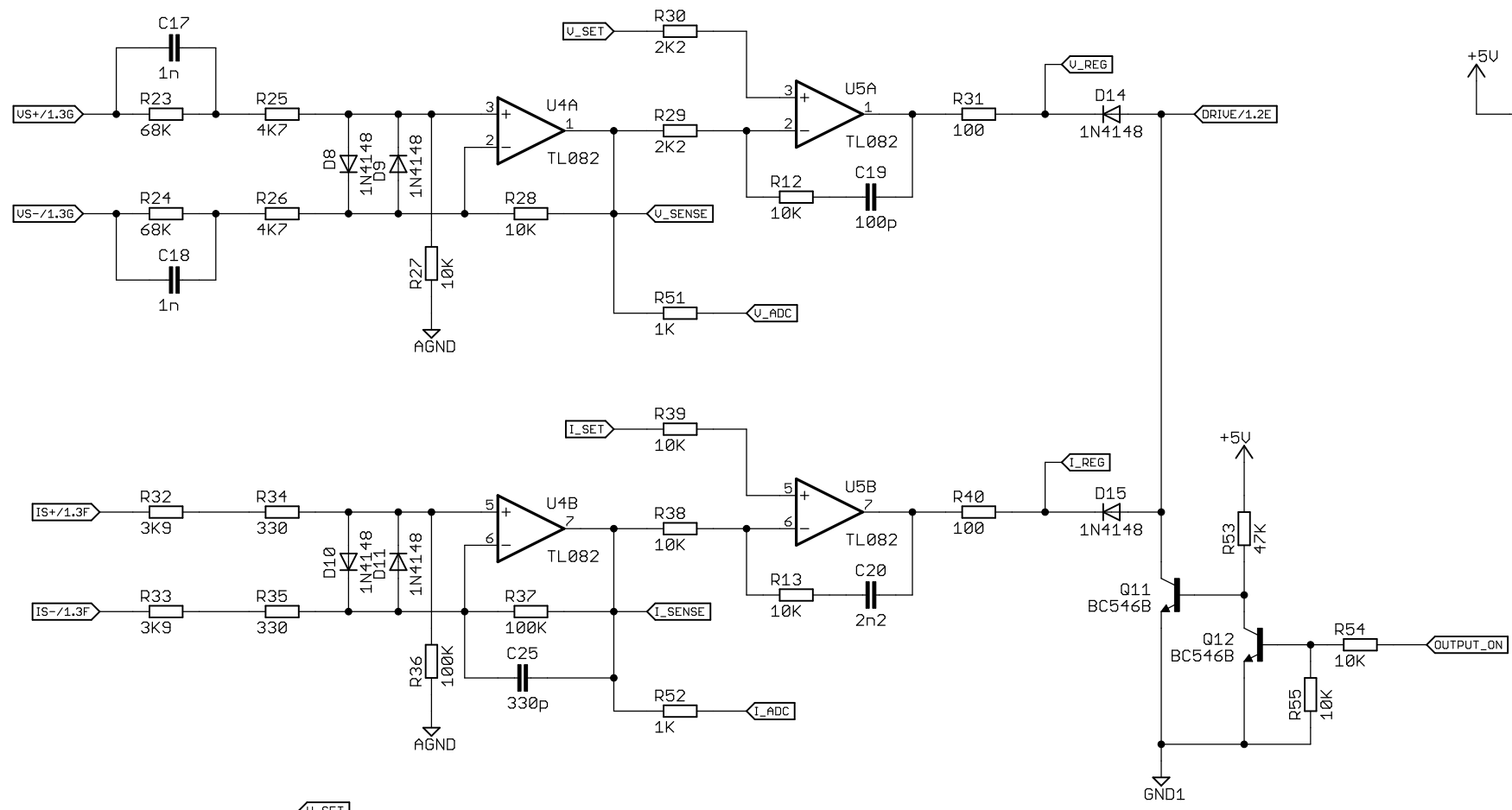
Project: 0-18V 0-1A Bench Supply

Filename: main

Date: 25/12/2018 00:59:56

Rev:

Sheet: 1/2



Sense and Error Amps
Reference voltage, controls

Project: 0-18V 0-1A Bench Supply
Filename: main
Date: 25/12/2018 00:59:56 Rev: Sheet: 2/2